



**Quality and  
Innovation  
Since 1963**

# **SERVICE MANUAL YORKVILLE 400B**

Before operating this unit, please read this manual thoroughly, and retain it for future use.  
Veuillez lire ce manuel attentivement avant d'utiliser l'appareil et le conserver pour consultations ultérieures.

RÉVISÉ 09/95 Printed in Canada

# 400 B SERVICE MANUAL

## SPECIFICATIONS

### POWER:

>725W, 4 Ohm load, 1KHz, 2 cycle burst  
750W typical

>400W, 4 Ohm load, 1KHz, continuous at 5%THD  
440W typical

>300W, 8 Ohm load, 1KHz, continuous at 5%THD  
315W typical

Measurements made with regulated 120V supply.

### SENSITIVITY:

INPUT 0dB <25mVrms

EFFECTS RETURN <1Vrms  
750mVrms typical

### DC OFFSET:

<60mV  
15mV typical

### HUM AND NOISE:

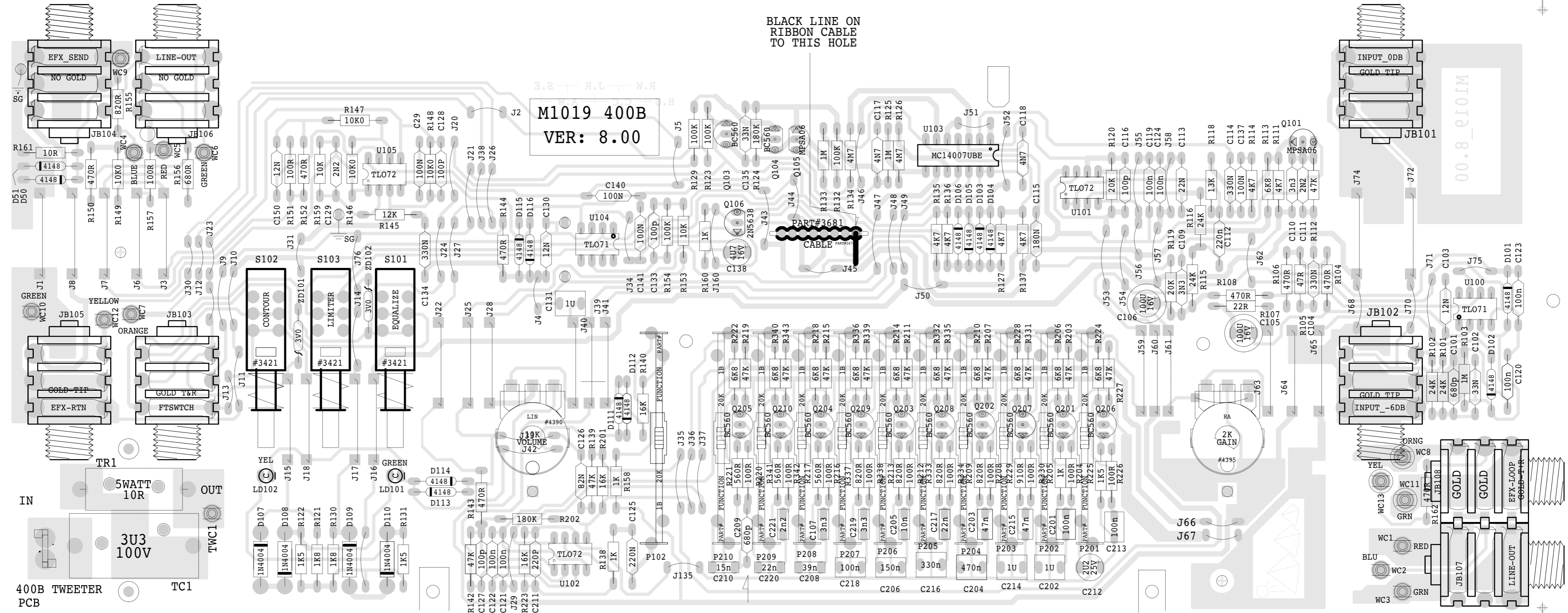
>-90dB below max output voltage, unweighted -94dB typical

Measurement made with GAIN and VOLUME at 5; CONTOUR and EQ off.

ASSEMBLY M1019-8.00  
PCB MECH M1019-8.00

ETCH GUIDE

GUIDE ETCH



BLANK SIZE=15.100" X 6.600"

UP

ETCH GUIDE

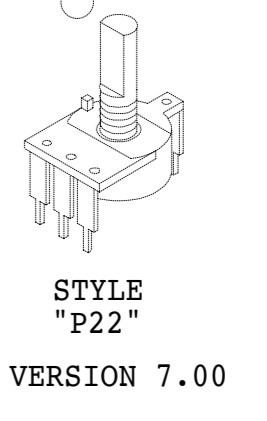
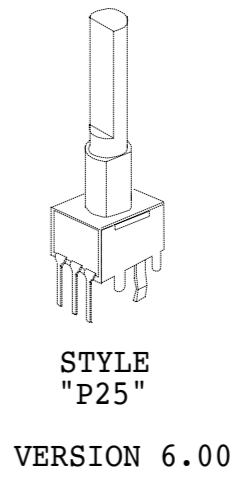
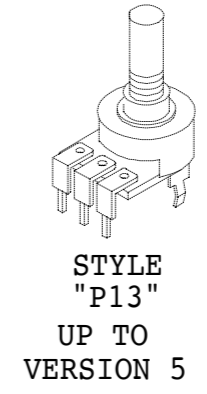
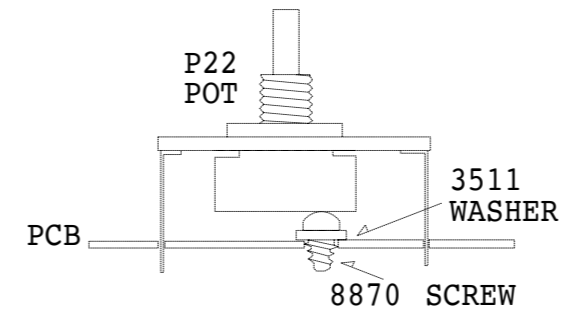
BREAK THIS BOARD AWAY BEFORE SHEARING

M1019.PCB DATABASE HISTORY

#	DATE	VER#	DESCRIPTION OF CHANGE
1	JUN/06/97	4.00	PC#4740 MODIFIED SWITCHES
2			AMP-INS TO EYELETS
3	DEC/04/97	5.00	BREAKAWAY PCB FOR TWEETER_ADDED
4	DEC/12/97	6.00	ROTARY POTS CHANGED
5	JUN/10/98	7.00	POTS CHANGED TO DETENT STYLE
6	DEC/10/98	8.00	POT_SUPPORT_SCREW_ADDED
7	D	V	NN
8	D	V	NN
9	D	V	NN
10	D	V	NN
11	D	V	NN

PRODUCTION NOTES

- 1 MAKE SURE THAT THE TRANSISTORS BETWEEN THE SLIDERS DO NOT INTERFERE WITH THE SLIDERS
- 2 C209 MUST NOT TOUCH LEG OF SLIDE POT
- 3 BREAKAWAY TWEETER BOARD IS FOR 400B AND IS DELIVERED TO FINISHING



POT STYLES USED

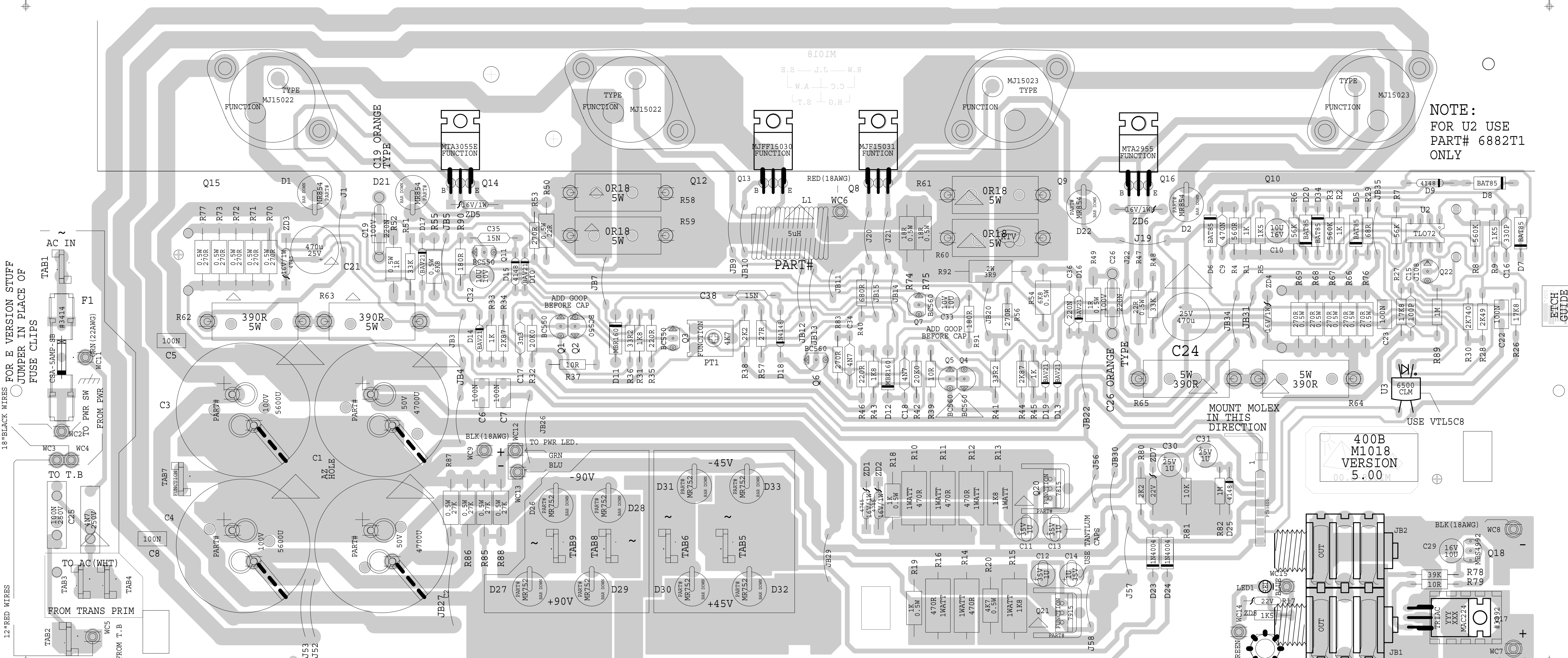
ASSEMBLY M1018-5.00  
PCB MECH M1018-5.00

SOLDSIDE M1018-2.00

BLANK SIZE=16.650"X7.950"  
BLANK SIZE=16.650"X7.950"

ETCH GUIDE

NOTE:  
FOR U2 USE  
PART# 6882T1  
ONLY



1.8" BLACK WIRES FOR E VERSION STUFF  
JUMPER IN PLACE OF  
FUSE CLIPS

12" RED WIRES

400B  
M1018  
VERSION  
5.00M

M1018.PCB DATABASE HISTORY

#	DATE	VER#	DESCRIPTION OF CHANGE
1	NOV/30/93	3.40	C25 TO 100N
2	APR/02/96	3.50	PC#5050 ADD 470R (R83)_4N7 (C34)
3	.	.	BASE TO COLLECTOR Q6
4	JUN/28/96	3.60	PC#5155 R38 3K9-->2K2
5	OCT/15/96	4.00	PC#5221 R83 470K->270R
6	APR/09/97	4.00	PC#5355 ADD 3R9 R92 220N C36
7	JUN/02/98	5.00	PC#5727 C25 SPACING .9" ADD RTV_HOLES_MOVE_WC15
8	.	.	
9	.	.	
10	D	V	
11	T	V	

PRODUCTION NOTES

- 1 U2 USE PART# 6882T1 TEXAS INSTRUMENTS ONLY.
- 2 FOR E VERSION REPLACE FUSE CLIPS WITH A JUMPER WIRE.



ETCH GUIDE

ETCH GUIDE